

**PRODUCT TECHNICAL SHEET**

Collection : **1935**

Ref. : **1935---.22-XX**

Mélangeur cuisine monotrou, bec mobile

E,ngats keukenmengkraan, draaibare uitloop

Single hole kitchen mixer, swing spout

**Picture**

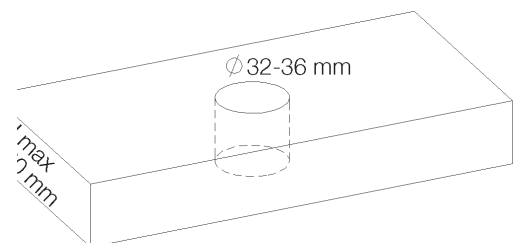
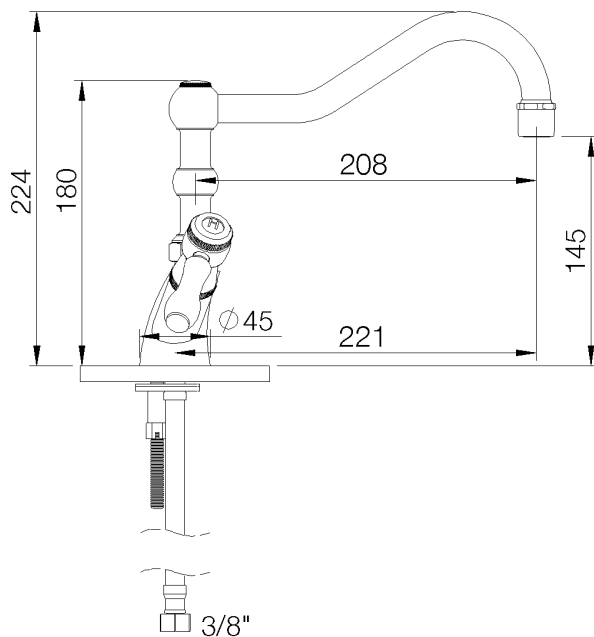
**Product details**



Weight : 3,45 kg

Internal mechanism : Ceramic valve 1/4 turn

**Technical drawing**



RB0.V01